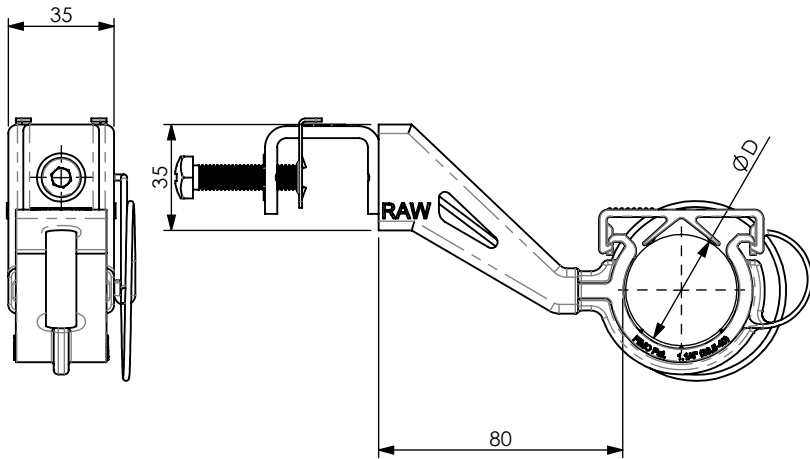


PRODUCT DATA SHEET



A) SPECIFICATIONS

- 1 Cable clamp. Material: PA6-VO, black colour, self extinguishing, halogen free (according to UL94-VO).
- 2 Stainless steel MIM8/25=mini clamp M8
- 3 Stainless steel VCI M8x16
- 4 Stainless steel RPI 8/16 flat washer
- 5 AISI 316 RSD safety clamp

B) OPERATING TEMPERATURE

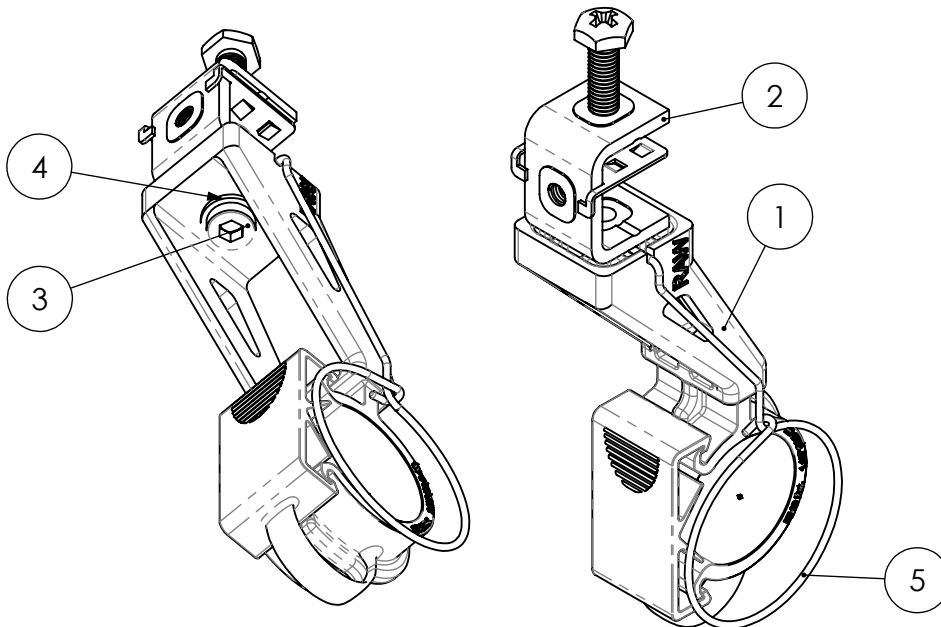
Working temperature : -40°C +125°C.
Installation temperature : -20°C +60°C.

C) DELIVERY MODALITIES

Packing in boxes. Label indicating: product code, article, quantity, production batch, FIMO logo and figure. (Customer code on request).

D) MOUNTING INSTRUCTIONS

On request



code	6150210114.25.01
article	KIT RAW 1.1/4"-80 M8+RSD+MIM+VCI8x16

D		
38.5-40	50	0.1614kg

RI	DATE	DR	DATE	AP	Description: KIT RAW 1.1/4"-80 M8+RSD+MIM+VCI8x16 Radiating Cable Clamp
02					
01					
00	20/07/2016	G.S.	20/07/2016	A.V.	
1 ST EMISSION					Use: Installation of radiating cables in tunnel